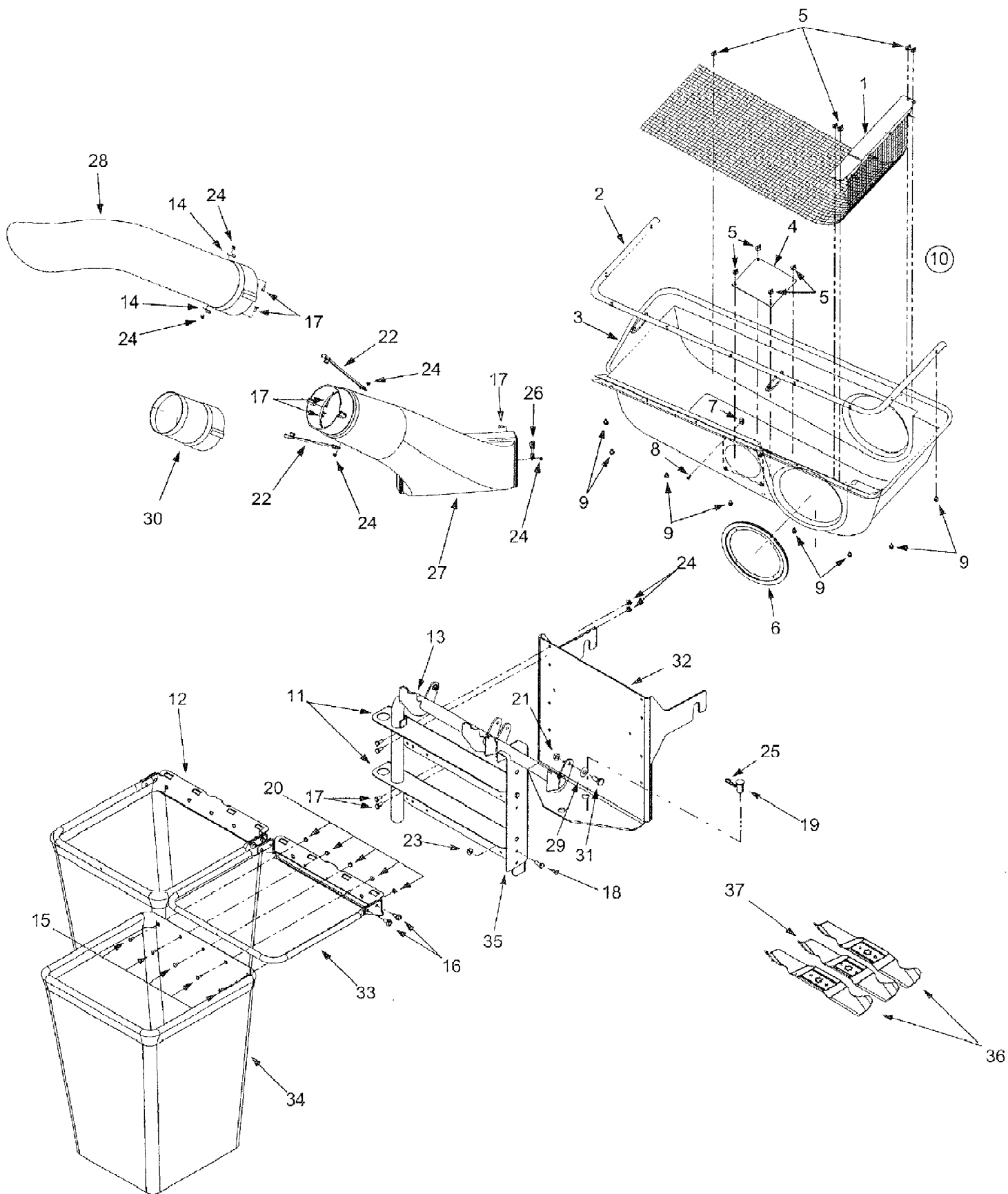


190-625-101 Twin Bagger (2002)
Bagger Assembly



190-625-101 Twin Bagger (2002)
Bagger Assembly

Page 2 of 2

Ref #	Part Number	Qty	S/P/F	Description
1	16847A	1		Screen Assembly
2	16596	1	S	Hinge Bracket Assembly
3	731-0821A	1		Grass Catcher Cover (Model 625)
	731-1417	1		Grass Catcher Cover (Model 626)
4	731-0824A	1	/P	Plastic Plate, 1/8 x 5.6 sq.
5	726-0258	1		Zip Twist Fastener
6	723-0412	1	/P	Tube Seal (Model 625)
	723-0413	1		Tube Seal (Model 626)
7	712-0147	1	/P	U-Type Speed Nut, #10-24
8	710-0473	1	/P	Screw, #10-24 x .5
9	710-0599	1	/P	Hex Screw, 1/4-20 x .5 (Model 625)
	710-0896	1	/P	Hex Screw, 1/4-14 x 625 (Model 626)
10	16594A	1		Cover Assembly (Model 626)
	631-0007	1		Cover Assembly (Model 626)
11	16587D	1	S	Catcher Support Tube Mounting Bracket
12	16591A	1	S	Bag Frame Hanger Bracket
13	16592	1	S	Catcher Support Tube Assembly
14	16606	1	S	Retainer Hook Bracket
15	710-0473	1	/P	Screw, #10-24 x .5
16	710-0604A	1	/P	Self Tapping Screw, 5/16-18 x .625
17	710-0751	1	/P	Hex Cap Screw, 1/4-20 x .62
18	710-3008	1	/P	Hex Cap Screw, 5/16-18 x .75
19	711-0309A	1	/P	Clevis Pin
20	712-0272	1	/P	Hex Sems Nut, 10-24
21	712-0431	1	S	Hex Flange Lock Nut, 3/8-16
22	723-0476	1		Retainer Strap Assembly
23	712-3004A	1	/P	Hex Flange Lock Nut, 5/16-18
24	712-3027	1	S	Hex Flange Lock Nut, 1/4-20
25	714-0117	1	/P	Internal Cotter Pin, .148 x 3
26	723-0383	1	S	Retainer Strap Assembly
27	731-0827B	1	S	Discharge Chute (Model 625)
	731-0925B	1	S	Discharge Chute (Model 626)
28	731-0899A	1	S	Chute Tube (Model 625)
	731-0926	1	S	Chute Tube (Model 626)
29	736-0253	1	S	Bell Washer
30	731-3272	1	S	Extension Tube (Model 625)
	731-2299	1	S	Extension Tube (Model 626)
31	738-0380	1	S	Shoulder Screw, .50 x .27, 3/8-16
32	783-1079	1	S	Catcher Support Bracket
33	749-0701A	1	S	Bag Frame Tube
34	764-0221	1	S	Bag
35	783-0601	1	S	Catcher Support Bracket
36	742-0644	1	S	Star Center Blade, 16.28 (Model 626)
37	742-0645	1	S	Star Center Blade, 14.88 (Model 626)